

AWS-CWI EXAMINATION INSTRUCTIONS

Prepared By: JIC-NDT Training Center

Instructions for the Examination

- ▣ Self Introduction (Supervisor)
- ▣ The exam consist of 3 parts : A, B & C
- ▣ Each part will be 2 hrs
- ▣ You will be alerted 30 and 15 minutes before the end of each period
- ▣ We have a group rotation

Instructions

- ▣ Only PENCIL is used in all writing and signing
- ▣ Pencil less than 2.5 F (darker); HB is preferred
- ▣ Mobile, tablets and laptops are not allowed during the examination
- ▣ Please turn off or silence your mobile (now)
- ▣ Cheating will be reported to AWS

Answer Sheet

- ▣ Observe and stick to the instructions of the answer sheet
- ▣ An answer that is not dark enough or not filling the bar is considered a wrong answer
- ▣ Multiple answers will be considered a wrong answer

EXAMPLES

WRONG

1 (A) ~~(A)~~ (C) (D) (E)

2 (A) (B) (C) (D) (E)

3 (A) (B) (C) (D) (E)

RIGHT

4 (A) (B) (C) (D) (E)

IMPORTANT DIRECTIONS FOR MARKING ANSWERS

- Use black lead pencil only (No. 2 1/2 or softer)
- Do NOT use ink or ballpoint pens
- Make heavy black marks that fill the bar completely
- Erase cleanly any answer you wish to change
- Make no stray marks on the answer sheet

Answer Sheet

Welding Inspection

Total Questions: 150

Closed Book Exam

On the lower left corner of your answer sheet, copy the codes indicated below:

AWS FORM						
ABC			143			
<input type="checkbox"/>	A	A	<input type="checkbox"/>	1	1	
B	<input type="checkbox"/>	B	2	2	2	
C	C	<input type="checkbox"/>	3	3	<input type="checkbox"/>	
D	D	D	4	<input type="checkbox"/>	4	
E	E	E	5	5	5	
F	F	F	6	6	6	

TEST	CODE BOOK
A	1
<input type="checkbox"/>	<input type="checkbox"/>
B	2
C	3
D	4
E	5
F	6

AWS FORM						
A	B	C	1-4	3		
<input checked="" type="checkbox"/>	A	A	<input checked="" type="checkbox"/>	1	1	
B	<input checked="" type="checkbox"/>	B	2	2	2	
C	C	<input checked="" type="checkbox"/>	3	3	<input checked="" type="checkbox"/>	
D	D	D	4	<input checked="" type="checkbox"/>	4	
E	E	E	5	5	5	
F	F	F	6	6	6	
G	G	G	7	7	7	
H	H	H	8	8	8	

TEST	CODE BOOK
A	1
<input checked="" type="checkbox"/>	<input checked="" type="checkbox"/>
B	2
C	3
D	4
E	5

1. W
A
(A) 1
(B) A
(C) a
(D) a
(E) a
Answ



American Welding Society Certified Welding Inspector

PART B CWI Practical Exam

Total Questions: 46

NOTE: On the lower left corner of your answer sheet, copy the codes indicated below. For the * entries, insert the kit's code (121, 131, 141, 212, or 313, found on the top of the kit) on this cover and the answer sheet.

AWS FORM			TEST			CODE BOOK		
BBE			B			1		
A	A	A	1	1	1	A		
B	B	B	2	2	2			2
C	C	C	3	3	3			3
D	D	D	4	4	4			4
E	E	*	5	5	5			5
F	F	F	6	6	6			6
G	G	G	7	7	7			7
H	H	H	8	8	8			8

* ENTER KIT CODE

EXAMPLE QUESTION

1. Which of the following is a requirement for AWS Welding Inspector Certification?

- (A) 15 years of relevant experience
- (B) AWS membership
- (C) a hearing test
- (D) an engineering degree
- (E) a vision test

Answer Sheet Response:

1. (A) (B) (C) (D) ●

Shown below is a list of the contents of your kit. Please verify (check off) that each item is present at the beginning and at the end of the test. Where required, enter the serial number of the specimen.

TOP TRAY:

- | | | |
|---|---|--------------------------|
| | Beginning | End |
| 1. Dial Caliper | <input type="checkbox"/> | <input type="checkbox"/> |
| 2. 6 inch Ruler | <input type="checkbox"/> | <input type="checkbox"/> |
| 3. 1 inch Micrometer | <input type="checkbox"/> | <input type="checkbox"/> |
| 4. Magnifying Glass | <input type="checkbox"/> | <input type="checkbox"/> |
| 5. Fillet Weld Gauge (7 pieces) and V-Wac Gauge (1) | <input type="checkbox"/> | <input type="checkbox"/> |
| 6. Butt Weld Reinforcement Gauge | <input type="checkbox"/> | <input type="checkbox"/> |
| 7. Adjustment Tool | <input type="checkbox"/> | <input type="checkbox"/> |
| 8. Unbroken Tensile Test Specimen | Serial No. <input type="text" value="4"/> | <input type="checkbox"/> |

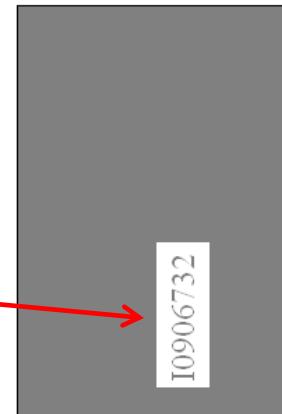
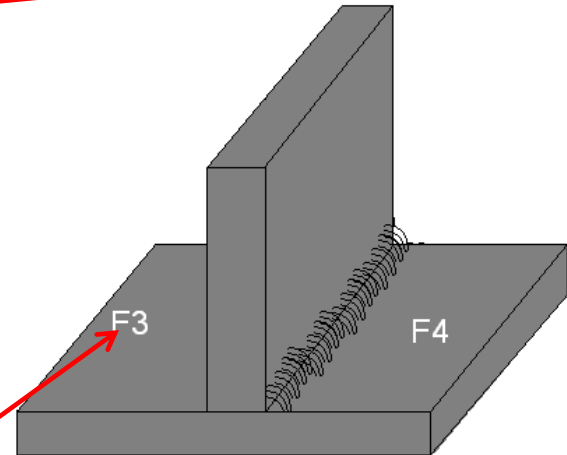
BOTTOM TRAY:

- | | | |
|--|---|--------------------------|
| | Beginning | End |
| 9. Double-Sided Laminated Photographs | <input type="checkbox"/> | <input type="checkbox"/> |
| 10. Fillet Weld Porosity Specimen | <input type="checkbox"/> | <input type="checkbox"/> |
| 11. Four Connected Guided Bend Samples | <input type="checkbox"/> | <input type="checkbox"/> |
| 12. T-Joint Specimen | Serial No. <input type="text" value="F3 & F4"/> | <input type="checkbox"/> |
| 13. Groove Weld Specimen | Serial No. <input type="text"/> | <input type="checkbox"/> |

KIT SERIAL NUMBER (located near handle)

FULL NAME (please print) _____ Signature: _____

ACCOUNT/MEMBERSHIP NUMBER _____



Questions for Review

- ▣ If you have any doubts or suggestions regarding a question; please fill in the form at the last page of your question booklet

Or

- ▣ provide your feedback on www.aws.org/examfeedback within one week

Feedback Report Form

CWI/SCWI Structural Drawing Reading Endorsement Exam - CCD111_E4_2009-06-03

All candidates for AWS certification are given an opportunity to provide feedback on the quality of the examination by identifying improvements on specific questions. This form may be used for that purpose.

If you have a more lengthy analysis of a specific question, please submit this feedback in writing or by completing the Exam Feedback Form located on the AWS website at www.aws.org/examfeedback, following the exam. Such letters or submissions will be forwarded to the Exam Subcommittee for consideration. AWS Certification Department staff members are not permitted to discuss questions that are used on standardized certification tests via phone or email.

Name: _____ Account/Membership # _____
Test City: _____ Test Date: _____

Question No. _____ Feedback _____

Question No. _____ Feedback _____

Question No. _____ Feedback _____

Question No. _____ Feedback _____

Question No. _____ Feedback _____

Question No. _____ Feedback _____

EXAM START TIME: _____ EXAM END TIME: _____

GOOD LUCK

